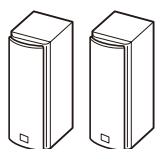


# ONKYO SERVICE MANUAL

## 7.1ch Home Theater Speaker Package MODEL HTP-990(B)

### Front speakers (SKF-980)



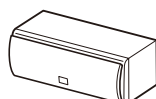
Front speakers



(White) (Red)

Speaker cables 11 ft.  
(3.5 m)

### Center speaker (SKC-980)

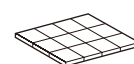


Center speaker



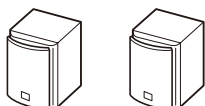
(Green)

Speaker cable 10 ft.  
(3.0 m)

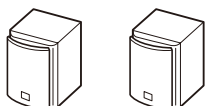


Cork stoppers (12 pcs.)  
for front and center speakers

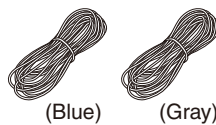
### Surround speakers (SKR-980) Surround back speakers (SKB-980)



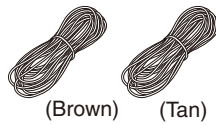
Surround speakers



Surround back speakers



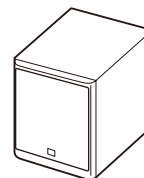
(Blue) (Gray)



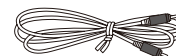
(Brown) (Tan)

Speaker cables 26 ft. (8.0 m)

### Powered subwoofer (SKW-980)



Subwoofer



RCA cable 10 ft. (3.0 m)

### Black model

B MDC	120V AC, 60Hz
-------	---------------

#### SAFETY-RELATED COMPONENT WARNING!!

COMPONENTS IDENTIFIED BY MARK  $\triangle$  ON THE SCHEMATIC DIAGRAM AND IN THE PARTS LIST ARE CRITICAL FOR RISK OF FIRE AND ELECTRIC SHOCK.

REPLACE THESE COMPONENTS WITH ONKYO PARTS WHOSE PART NUMBERS APPEAR AS SHOWN IN THIS MANUAL. MAKE LEAKAGE-CURRENT OR RESISTANCE MEASUREMENTS TO DETERMINE THAT EXPOSED ARTS ARE ACCEPTABLY INSULATED FROM THE SUPPLY CIRCUIT BEFORE RETURNING THE APPLIANCE TO THE CUSTOMER.

ONKYO SOUND & VISION CORPORATION  
Service Department

**EXPLODED VIEWS - 1**  
**SKW-980**

REF. NO.	PART NAME	DESCRIPTION	Q'TY	PART NO. (SN)
<b>SKW-980</b>				
SP01A	SPK SYSTEM ASSY SKW-980(B)MDC		1	000-SKW-980BMDC
SP01B	SUBWOOFER ASSY	Without AMP unit,SPEAKER unit and Power transformer	1	000-SKW-980BMDCESER
SP02	GRILLE BOARD ASSY SKW-960 CARB P		1	113-0BW960-11
SP02	FOOT SKW-540	FOOT SKW-540	4	D249-W54001B-00
SP03	WOOFER (FPI)	SUB WF NS-424 (FPI)	1	300-DNS4243000
SP04	LED HARNESS ASSY SKW750		1	335-SKW750-01
SP05	CUSHION CR RUBBER SKW-460		2	442-902138-00
SP06	CUSHION CR RUBBER SKW-538		1	442-902143-00
SP07	CUSHION DIA 17.5*2T		4	442-902133-00

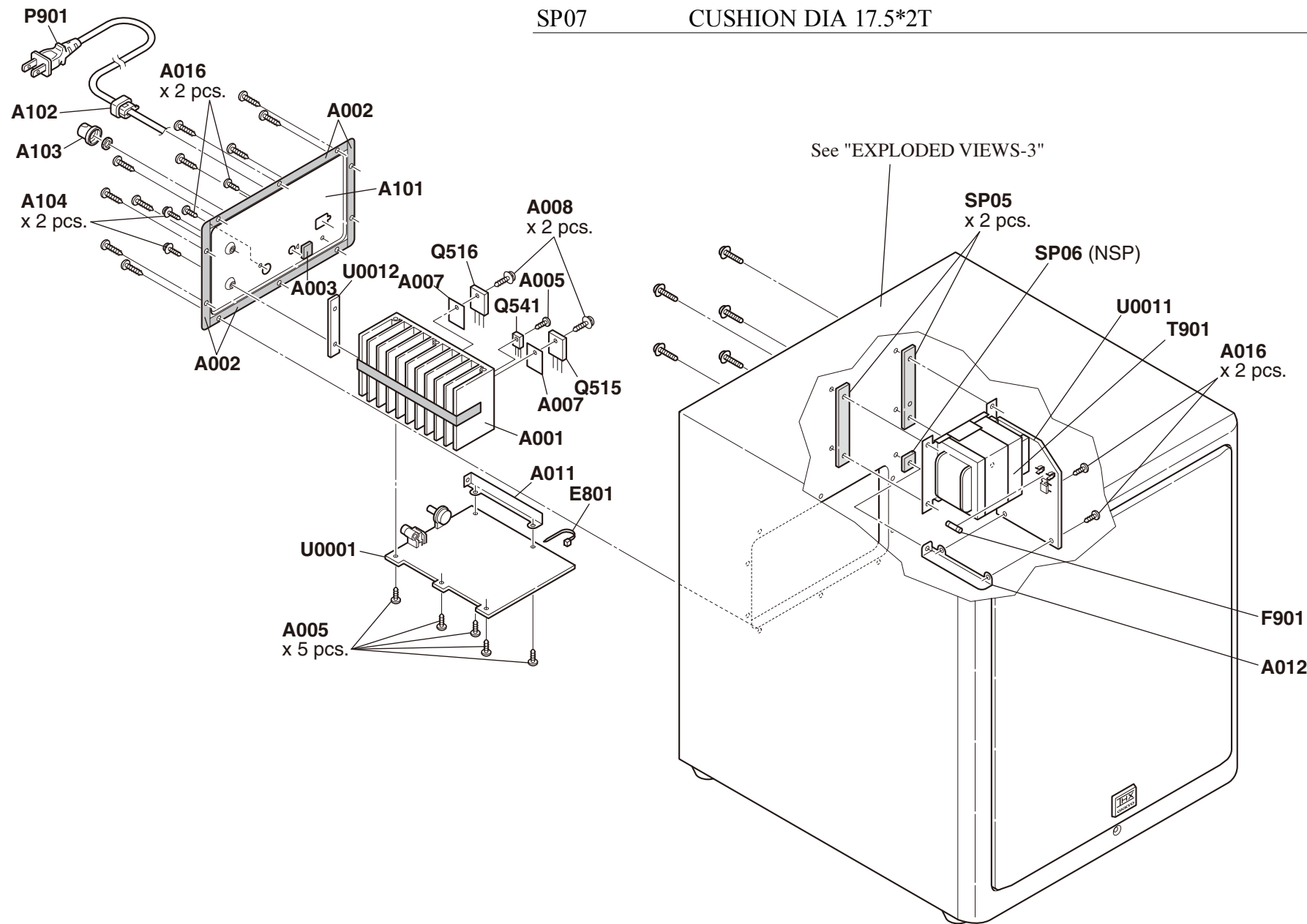
1

2

3

4

5



**EXPLODED VIEWS - 2**  
**SKW-980**

REF. NO.	PART NAME	DESCRIPTION	Q'TY	PART NO. (SN)
<b>SKW-980</b>				
SP01A	SPK SYSTEM ASSY SKW-980(B)MDC		1	000-SKW-980BMDC
SP01B	SUBWOOFER ASSY	Without AMP unit,SPEAKER unit and Power transformer	1	000-SKW-980BMDCESER
SP02	GRILLE BOARD ASSY SKW-960 CARB P		1	113-0BW960-11
SP02	FOOT SKW-540	FOOT SKW-540	4	D249-W54001B-00
SP03	WOOFER (FPI)	SUB WF NS-424 (FPI)	1	300-DNS4243000
SP04	LED HARNESS ASSY SKW750		1	335-SKW750-01
SP05	CUSHION CR RUBBER SKW-460		2	442-902138-00
SP06	CUSHION CR RUBBER SKW-538		1	442-902143-00
SP07	CUSHION DIA 17.5*2T		4	442-902133-00

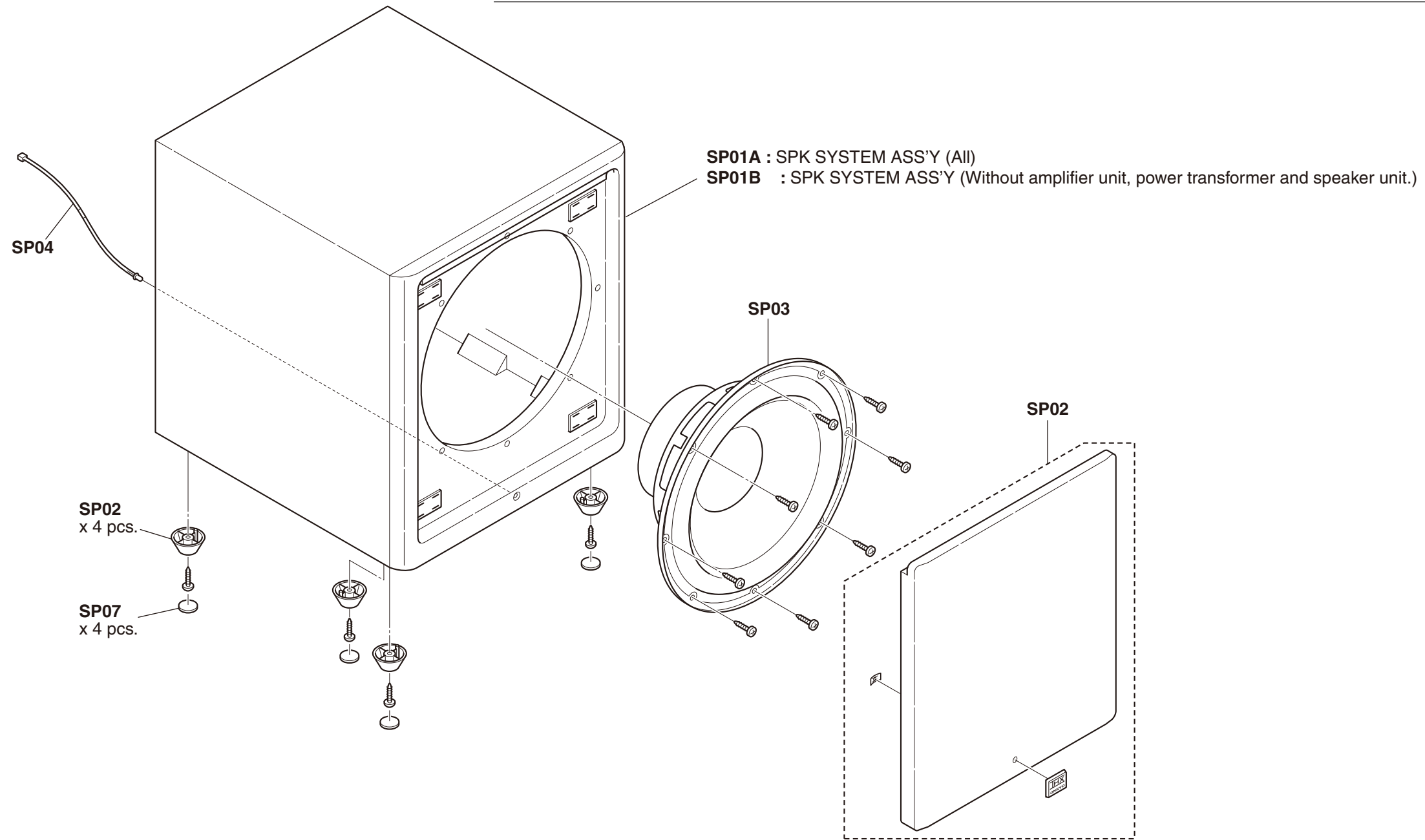
1

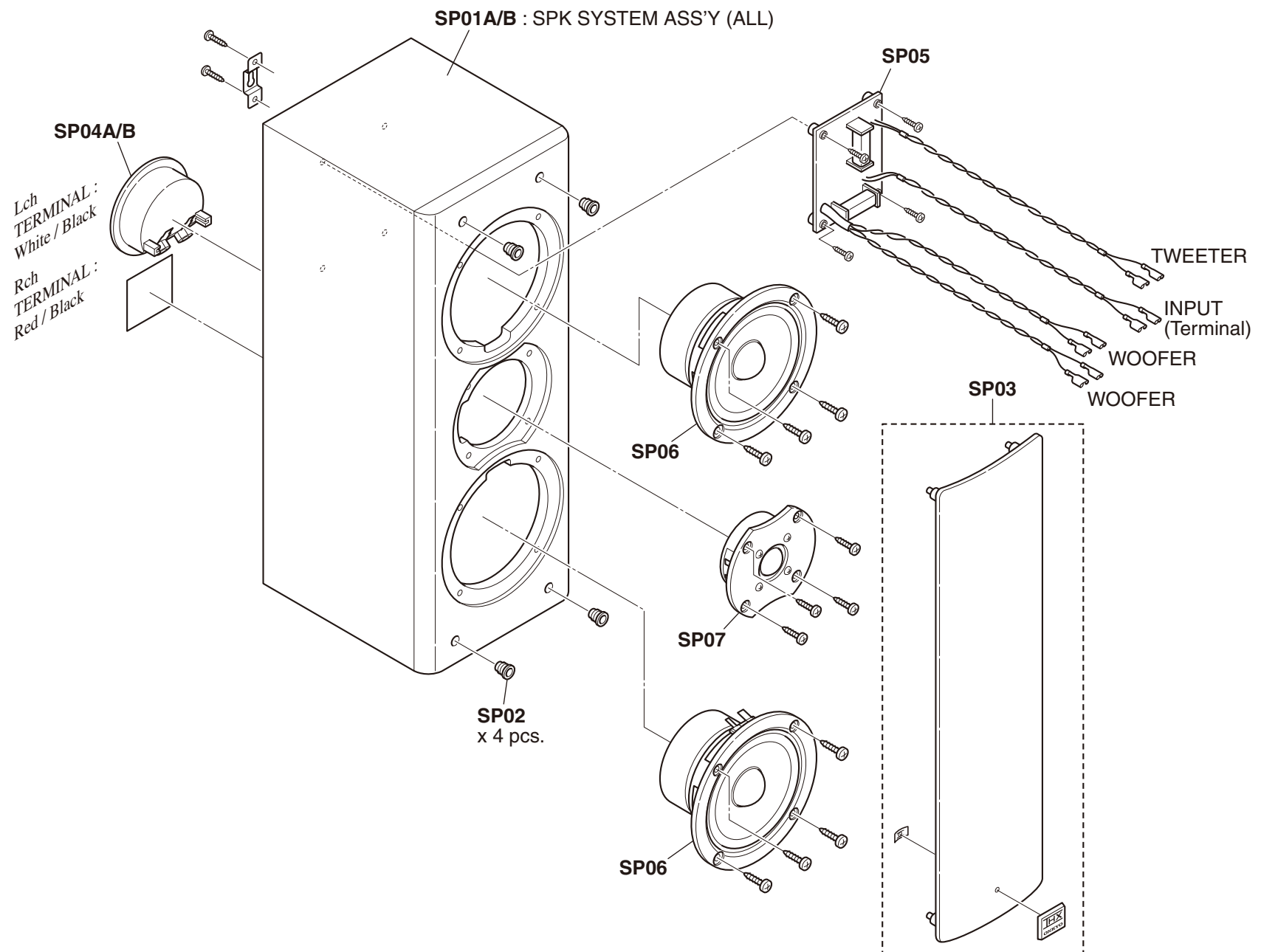
2

3

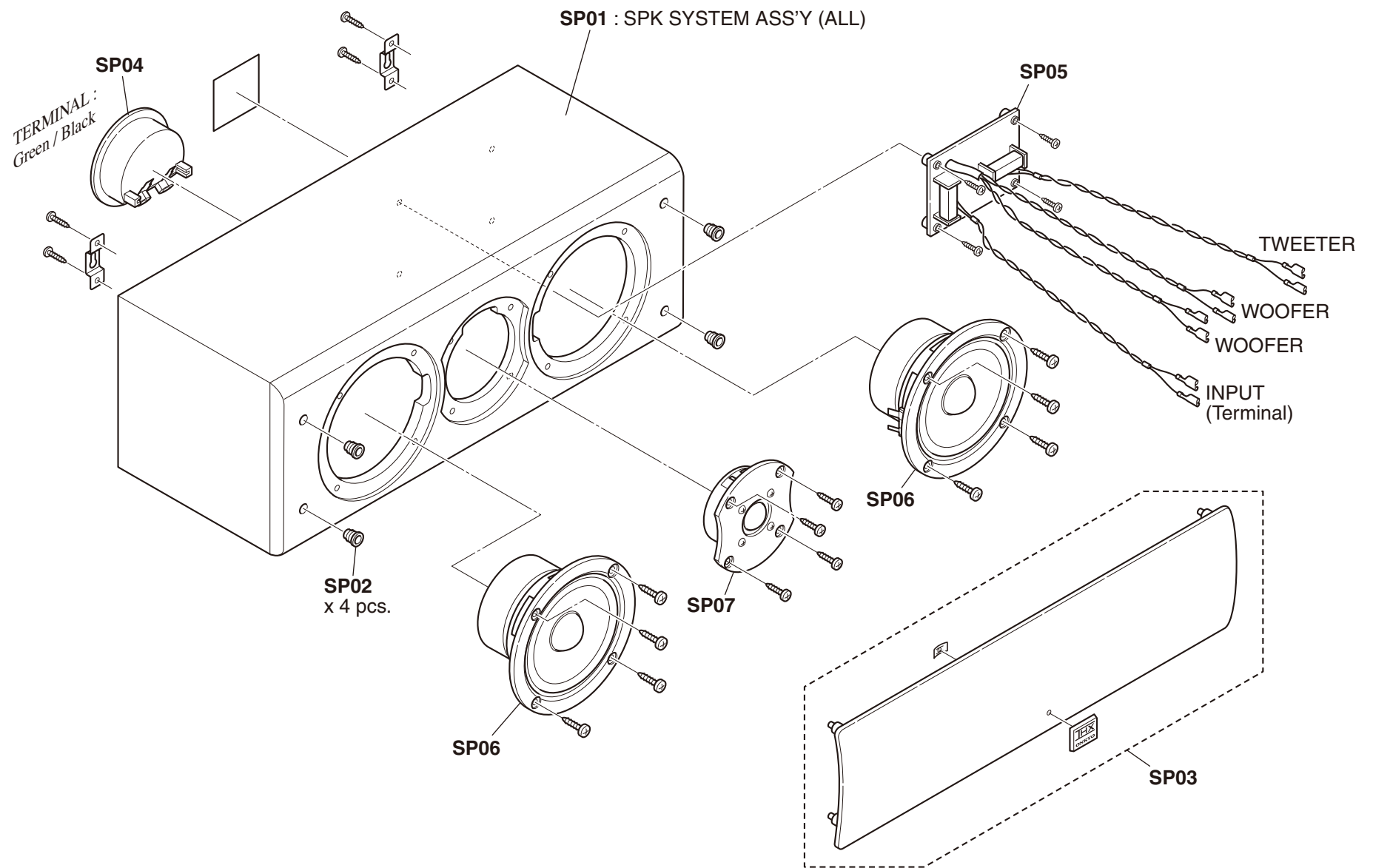
4

5

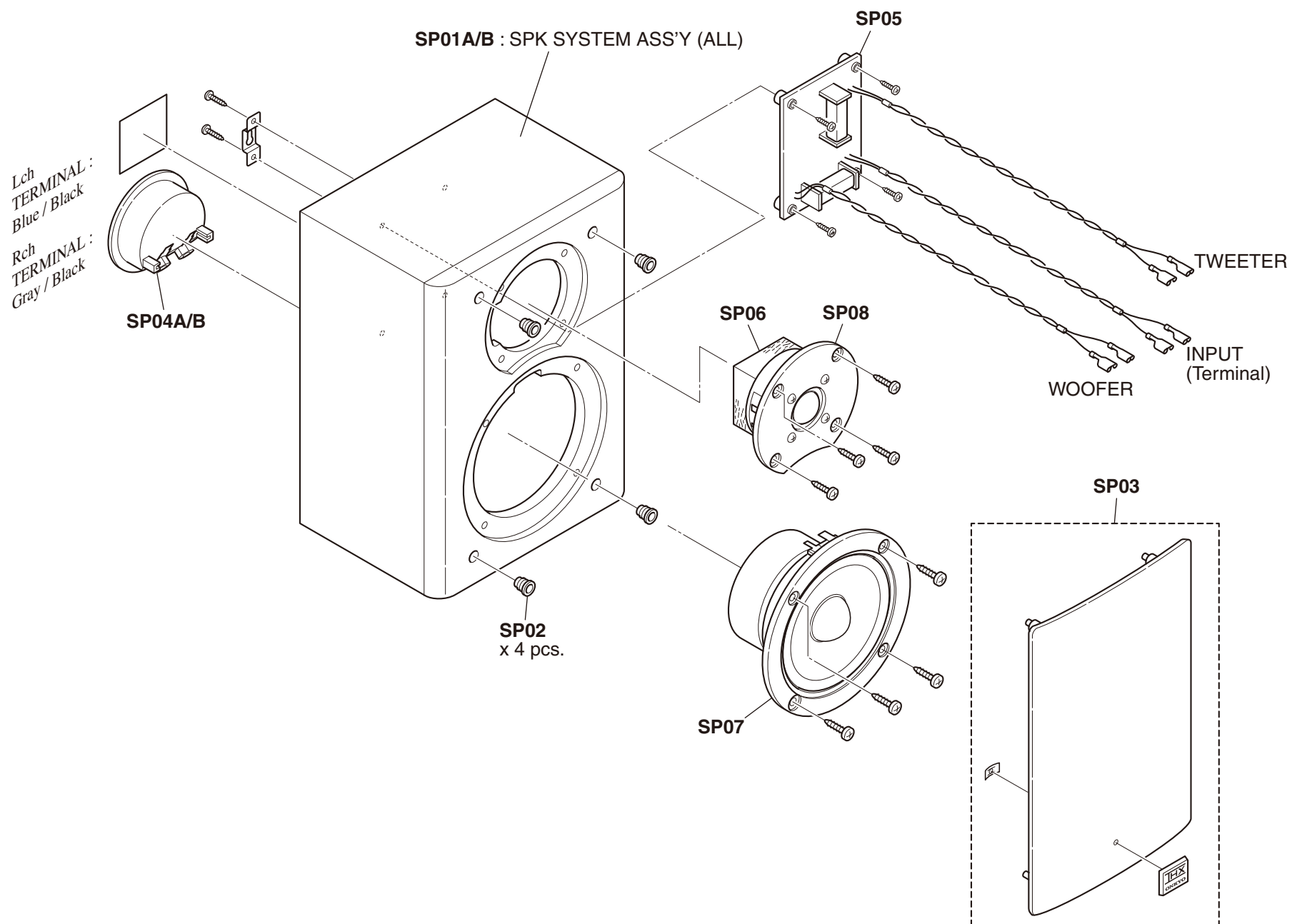


**EXPLODED VIEWS - 3**  
**SKF-980L / SKF-980R**


REF. NO.	PART NAME	DESCRIPTION	Q'TY	PART NO. (SN)
<b>SKF-980L(B)</b>				
SP01A	SPK SYSTEM ASSY SKF-990FL(B)MDC	WITH SPEC LABEL	1	000-SKF990FLBMDCCSER
SP02	CATCHING HOLDER D-N3X		4	D230-DN3X01B-01
SP03	CLOTH FRAME ASSY SKF-960(B)	with Grille Cloth and Logo	1	D201-F96001B-50
SP04A	TERMINAL	H8107B BLK/WHITE	1	332-H8107B-42
SP05	CROSSOVER SKF/C-940		1	311-SKF940-00
SP06	Woofers (ONKYO)	OAE(JITRA)	2	W1277C
SP07	Tweeter (ONKYO)	OAE(JITRA)	1	TW3208B
<b>SKF-980R(B)</b>				
SP01B	SPK SYSTEM ASSY SKF-990FR(B)MDC	WITH SPEC LABEL	1	000-SKF990FRBMDCCSER
SP02	CATCHING HOLDER D-N3X		4	D230-DN3X01B-01
SP03	CLOTH FRAME ASSY SKF-960(B)	with Grille Cloth and Logo SKF-960(B)	1	D201-F96001B-50
SP04B	TERMINAL	H8107B BLK/RED	1	332-H8107B-02
SP05	CROSSOVER SKF/C-940		1	311-SKF940-00
SP06	Woofers (ONKYO)	OAE(JITRA)	2	W1277C
SP07	Tweeter (ONKYO)	OAE(JITRA)	1	TW3208B

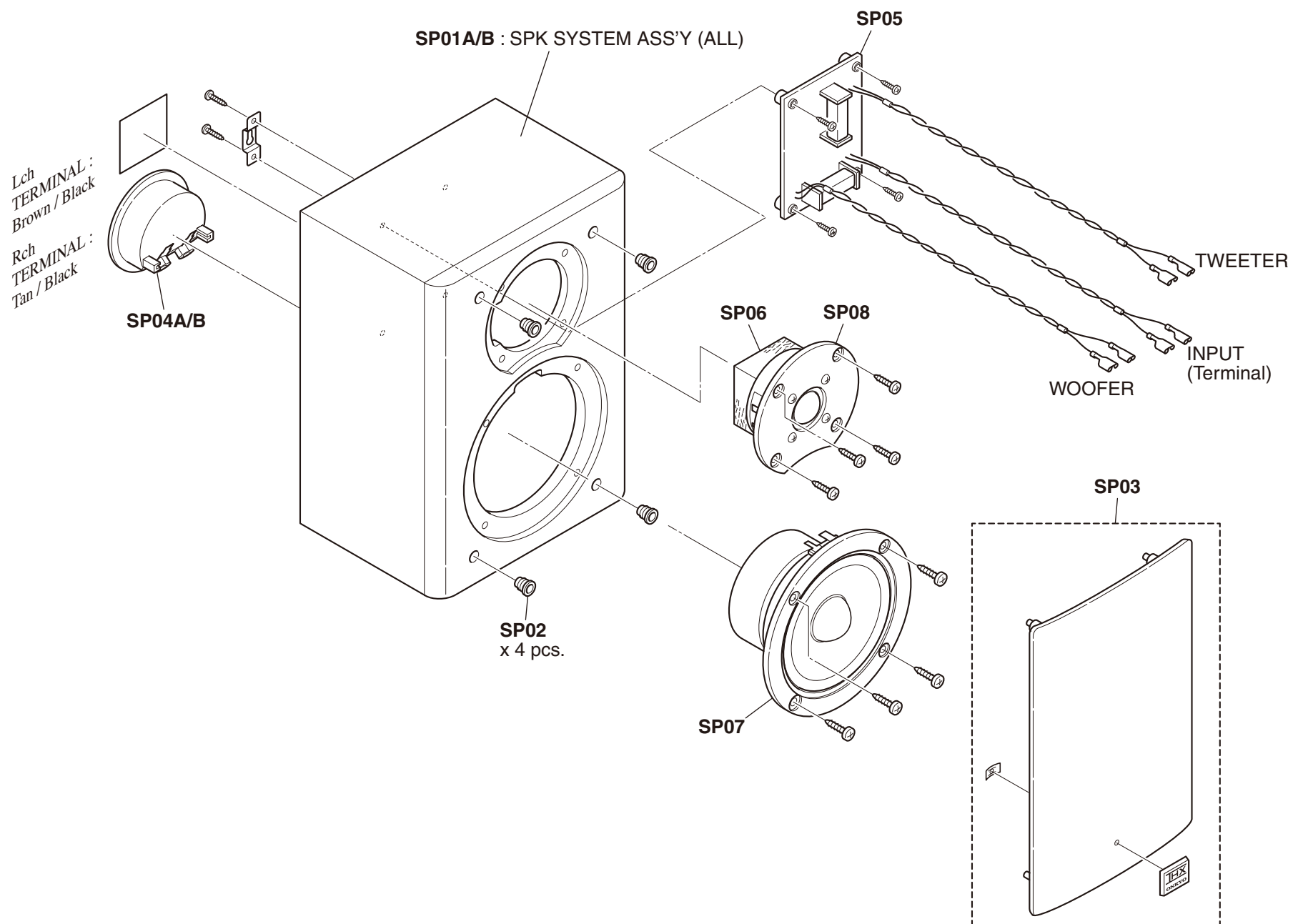
**EXPLODED VIEWS - 4**  
**SKC-980**


REF. NO.	PART NAME	DESCRIPTION	Q'TY	PART NO. (SN)
<b>SKC-980(B)</b>				
SP01	SPK SYSTEM ASSY SKC-990C(B)MDC	WITH SPEC LABEL	1	000-SKC990CBMDCCSER
SP02	CATCHING HOLDER D-N3X		4	D230-DN3X01B-01
SP03	CLOTH FRAME ASSY SKC-960(B)	with Grille Cloth and Logo	1	D201-C96001B-50
SP04	TERMINAL	H8107B BLK/GREEN	1	332-H8107B-32
SP05	CROSSOVER SKF/C-940		1	311-SKF940-00
SP06	Woofers (ONKYO)	OAE(JITRA)	2	W1277C
SP07	Tweeter (ONKYO)	OAE(JITRA)	1	TW3208B

**EXPLODED VIEWS - 5**  
**SKR-980L / SKR-980R**


REF. NO.	PART NAME	DESCRIPTION	Q'TY	PART NO. (SN)
<b>SKR-980L(B)</b>				
SP01A	SPK SYSTEM ASSY SKR-990SL(B)MDC	Completed unit, with SPEC LABEL	1	000-SKR990SLBMDCCSER
SP02	CATCHING HOLDER D-N3X		4	D230-DN3X01B-01
SP03	CLOTH FRAME ASS'Y SKM-960(B)	with Grille Cloth and Logo	1	D201-M96001B-50
SP04A	TERMINAL H8107B	BLK/BLUE	1	332-H8107B-82
SP05	CROSSOVER SKM/B-940		1	311-SKM940-00
SP06	S.ABSORBER	for TWEETER : 25tx50x50	1	443-925404-00
SP07	Woofer (ONKYO)	OAE(JITRA)	1	W1367B
SP08	Tweeter (ONKYO)	OAE(JITRA)	1	TW3223A
<b>SKR-980R(B)</b>				
SP01B	SPK SYSTEM ASSY SKR-990SR(B)MDC	Completed unit, with SPEC LABEL	1	000-SKR990SRBMDCCSER
SP02	CATCHING HOLDER D-N3X		4	D230-DN3X01B-01
SP03	CLOTH FRAME ASS'Y SKM-960(B)	with Grille Cloth and Logo	1	D201-M96001B-50
SP04B	TERMINAL H8107B	BLK/GRAY	1	332-H8107B-22
SP05	CROSSOVER SKM/B-940		1	311-SKM940-00
SP06	S.ABSORBER	for TWEETER : 25tx50x50	1	443-925404-00
SP07	Woofer (ONKYO)	OAE(JITRA)	1	W1367B
SP08	Tweeter (ONKYO)	OAE(JITRA)	1	TW3223A



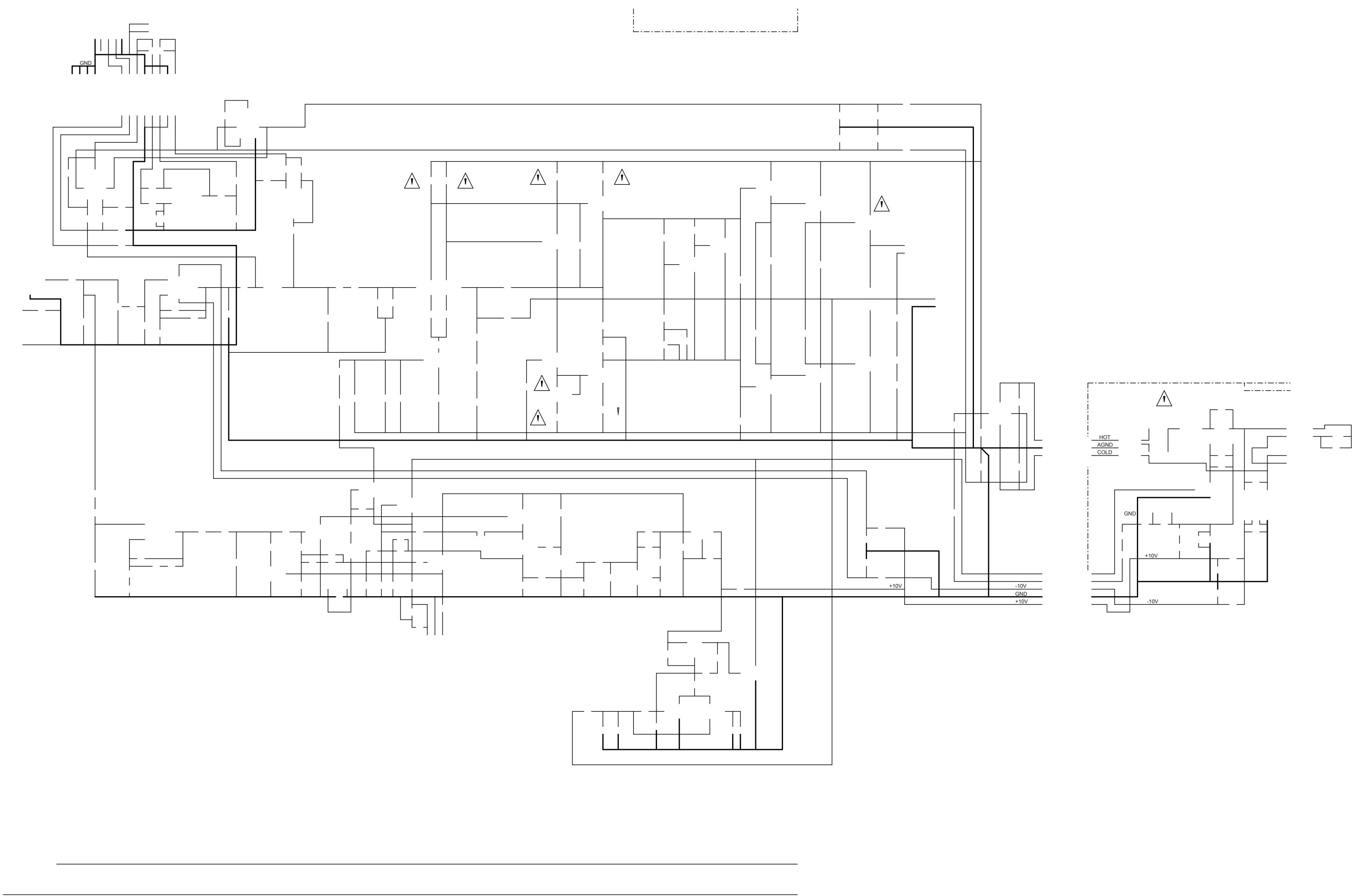
**EXPLODED VIEWS - 6**  
**SKB-980L / SKB-980R**


REF. NO.	PART NAME	DESCRIPTION	Q'TY	PART NO. (SN)
<b>SKB-980L(B)</b>				
SP01A	SPK SYSTEM ASSY SKB-990BL(B)MDC	Completed unit, with SPEC LABEL	1	000-SKB990BLBMDCCSER
SP02	CATCHING HOLDER D-N3X		4	D230-DN3X01B-01
SP03	CLOTH FRAME ASSY SKM-960(B)	with Grille Cloth and Logo	1	D201-M96001B-50
SP04A	TERMINAL	BLK/BROWN	1	332-H8107B-92
SP05	CROSSOVER SKM/B-940		1	311-SKM940-00
SP06	S.ABSORBER	for TWEETER : 25tx50x50	1	443-925404-00
SP07	Woofer (ONKYO)	OAE(JITRA)	1	W1367B
SP08	Tweeter (ONKYO)	OAE(JITRA)	1	TW3223A
<b>SKB-980R(B)</b>				
SP01B	SPK SYSTEM ASSY SKB-990BR(B)MDC		1	000-SKB990BRBMDCCSER
SP02	CATCHING HOLDER D-N3X		4	D230-DN3X01B-01
SP03	CLOTH FRAME ASSY SKM-960(B)	with Grille Cloth and Logo	1	D201-M96001B-50
SP04B	TERMINAL H8107B	BLK/TAN	1	332-H8107B-A2
SP05	CROSSOVER SKM/B-940		1	311-SKM940-00
SP06	S.ABSORBER	for TWEETER : 25tx50x50	1	443-925404-00
SP07	Woofer (ONKYO)	OAE(JITRA)	1	W1367B
SP08	Tweeter (ONKYO)	OAE(JITRA)	1	TW3223A

A B C D E F G H I J K

**SCHEMATIC DIAGRAM**

1  
2  
3  
4  
5  
6  
7  
8





**HTP-990**

**<Note>**

Parts marked by "NSP" are generally unavailable because they are not in our Master Spare Parts List.

**NOTE : THE COMPONENTS IDENTIFIED BY THE MARK ! ARE CRITICAL FOR RISK OF FIRE AND ELECTRIC SHOCK. REPLACE ONLY WITH PART NUMBER SPECIFIED.**

**HTP-990**

**PC BOARD PARTS LIST**

<b>U001</b>	<b>U0010 ~ U0012</b>	<b>BAAF-0491-2F *</b>	<b>1</b>	<b>1B139591-2F</b>	<b>N</b>
<b>U0010</b>	<b>MAIN PCB AS</b>	<b>BAAF-0491-2F</b>	<b>1</b>	<b>1B1395491-2F</b>	<b>N</b>
<b>U0011</b>	<b>POWER SUPPLY PCB AS</b>	<b>BAPS-0492-2F</b>	<b>1</b>	<b>1B1395492-2F</b>	
<b>U0012</b>	<b>ETC</b>	<b>BAETC-0498-2F</b>	<b>1</b>	<b>NSP</b>	

CIRCUIT NO.	PART NAME	DESCRIPTION	Q'TY	PART NO. (SN)	REMARKS
<b>[SEMI CONDUCTOR]</b>					
D501	ZENER D	MTZJ5.6B	1	224470562T	
D601	ZENER D	MTZJ3.6B	1	224470362T	
D602	ZENER D	MTZJ3.6B	1	224470362T	
D603	DIODE	1SS133	1	223163T	
D605	DIODE	1SS133	1	223163T	
D606	DIODE	1SS133	1	223163T	
D607	DIODE	1SS133	1	223163T	
D651	DIODE	1SS133	1	223163T	
D652	DIODE	1SS133	1	223163T	
D707	DIODE	1SS133	1	223163T	
D708	DIODE	1SS133	1	223163T	
D709	DIODE	1SS133	1	223163T	
D901	DIODE	D3SBA60	1	22380272F	
D901 or	DIODE	RBV402	(1)	22380022F	

D911	DIODE	ISS133	1	223163T
D913	DIODE	ISS133	1	223163T
D917	DIODE	ISS133	1	223163T
D918	DIODE	ISS133	1	223163T
D919	DIODE	RL1N4003	1	22380260T
D920	ZENER D	MTZJ9.1B	1	224470912T
Q301	IC	NJM4558L-D	1	22240293
Q501	TR	2SC2240-BL(TPE2_F)	1	2211406T
Q502	TR	2SC2240-BL(TPE2_F)	1	2211406T
Q503	TR	2SC2240-BL(TPE2_F)	1	2211406T
Q505	TR	2SA949-O(TPE6_F)	1	2211353T
Q505 or	TR	2SA949-Y(TPE6_F)	(1)	2211354T
Q505 or	TR	KTA1024-Y	(1)	2215844T
Q506	TR	2SC2229-O(TPE6_F)	1	2211633T
Q506 or	TR	2SC2229-Y(TPE6_F)	(1)	2211634T
Q506 or	TR	KTC3206-Y	(1)	2215854T
Q507	TR	2SA949-O(TPE6_F)	1	2211353T
Q507 or	TR	2SA949-Y(TPE6_F)	(1)	2211354T
Q507 or	TR	KTA1024-Y	(1)	2215844T
Q509	TR	2SA949-O(TPE6_F)	1	2211353T
Q509 or	TR	2SA949-Y(TPE6_F)	(1)	2211354T
Q509 or	TR	KTA1024-Y	(1)	2215844T
Q510	TR	2SC2229-O(TPE6_F)	1	2211633T
Q510 or	TR	2SC2229-Y(TPE6_F)	(1)	2211634T
Q510 or	TR	KTC3206-Y	(1)	2215854T
Q513	TR	2SC5171(ONK_Q)	1	2203010
Q513 or	TR	KTD2061-Y	(1)	2203434
Q514	TR	2SA1930(ONK_Q)	1	2203000
Q514 or	TR	KTB1369-Y	(1)	2203424
Q517	TR	2SA933S-S	1	2213355T
Q517 or	TR	2SA933S-R	(1)	2213354T
Q517 or	TR	KTA1267-GR	(1)	2215995T
Q518	TR	2SC2235-Y(TPE6_F)	1	2211654T

Q519	TR	2SA965-Y(TPE6_F)	1	2211644T
Q602	TR	KRC103M	1	2215810T
Q602 or	TR	DTC124ES	(1)	2213160T
Q603	TR	2SC1740S-S	1	2213285T
Q603 or	TR	2SC1740S-R	(1)	2213284T
Q603 or	TR	KTC3199-GR	(1)	2215864T
Q604	TR	2SA933S-S	1	2213355T
Q604 or	TR	2SA933S-R	(1)	2213354T
Q604 or	TR	KTA1267-GR	(1)	2215995T
Q605	TR	2SA933S-S	1	2213355T
Q605 or	TR	2SA933S-R	(1)	2213354T
Q605 or	TR	KTA1267-GR	(1)	2215995T
Q606	TR	KRA103M	1	2215780T
Q606 or	TR	DTA124ES	(1)	2212600T
Q607	TR	2SA933S-S	1	2213355T
Q607 or	TR	2SA933S-R	(1)	2213354T
Q607 or	TR	KTA1267-GR	(1)	2215995T
Q608	TR	2SC1740S-S	1	2213285T
Q608 or	TR	2SC1740S-R	(1)	2213284T
Q608 or	TR	KTC3199-GR	(1)	2215864T
Q610	TR	2SA933S-S	1	2213355T
Q610 or	TR	2SA933S-R	(1)	2213354T
Q610 or	TR	KTA1267-GR	(1)	2215995T
Q612	TR	2SC1740S-S	1	2213285T
Q612 or	TR	2SC1740S-R	(1)	2213284T
Q612 or	TR	KTC3199-GR	(1)	2215864T
Q703	TR	2SC1740S-S	1	2213285T
Q703 or	TR	2SC1740S-R	(1)	2213284T
Q703 or	TR	KTC3199-GR	(1)	2215864T
Q704	TR	2SC1740S-S	1	2213285T
Q704 or	TR	2SC1740S-R	(1)	2213284T
Q704 or	TR	KTC3199-GR	(1)	2215864T
Q705	TR	2SA933S-S	1	2213355T

Q705 or	TR	2SA933S-R	(1)	2213354T
Q705 or	TR	KTA1267-GR	(1)	2215995T
Q706	TR	DTC123JS	1	2213640T
Q901	TR	DTC123JS	1	2213640T
Q902	IC	78M05AHF(MPC78M05AHF)	1	222780055NEC
Q902 or	IC	78M05(NJM78M05FA)	(1)	222780055JRC
<b>[TRANS COIL]</b>				
T902	P TRANS	NPT-1520JQ	1	2301812A
<b>[CAPACITOR]</b>				
C301	UPZ C	2AUPZTF221JE	1	376332214T
C302	UTSP C	CE04W50V-47M(UTSP)	1	397584707T
C303	TF C	ECQ-V50V-223J	1	374722234T
C501	UTSP C	CE04W50V-47M(UTSP)	1	397584707T
C503	TF C	ECQ-V50V-224J	1	374722244T
C504	UTSP C	CE04W25V-220M(UTSP)	1	397552217T
C505	CERA C	CC45CH50V-020C	1	345340201T
C506	CERA C	CC45CH50V-070D	1	345340702T
C514	UPZ C	2AUPZTF101JE	1	376331014T
C517	VR C	CE04W100V-22M(VR)	1	394692207T
C519	TF C	ECQ-V50V-224J	1	374722244T
C520	TF C	ECQ-V50V-224J	1	374722244T
C526	VR C	CE04W100V-22M(VR)	1	394692207T
C527	UTSP C	CE04W50V-1M(UTSP)	1	397580107T
C528	VR C	CE04W100V-22M(VR)	1	394692207T
C601	UTSP C	CE04W50V-10M(UTSP)	1	397581007T
C602	UTSP C	CE04W50V-10M(UTSP)	1	397581007T
C603	UTSP C	CE04W10V-470M(UTSP)	1	397534717T
C604	UTSP C	CE04W50V-4.7M(UTSP)	1	397580477T
C605	UTSP C	CE04W50V-4.7M(UTSP)	1	397580477T
C704	UTSP C	CE04W10V-470M(UTSP)	1	397534717T
C707	TF C	ECQ-V50V-223J	1	374722234T
C709	TF C	ECQ-V50V-223J	1	374722234T
C903	TF C	ECQ-V100V-104J	1	374731044T

C904	TF C	ECQ-V100V-104J	1	374731044T	
C905	ELECT C	CE62W71V5600M	1	3504444	
C905 or	ELECT C	CE69W71V-5600M	(1)	3504484	
C906	ELECT C	CE62W71V5600M	1	3504444	
C906 or	ELECT C	CE69W71V-5600M	(1)	3504484	
C907	UTSP C	CE04W25V-220M(UTSP)	1	397552217T	
C908	UTSP C	CE04W25V-220M(UTSP)	1	397552217T	
C911	UTSK C	CE04W25V-1000M(UTSK)	1	398351027S	
C912	UTSK C	CE04W25V-1000M(UTSK)	1	398351027S	
C914	UTSK C	CE04W25V-1000M(UTSK)	1	398351027S	
C915	TF C	ECQ-V50V-224J	1	374722244T	
C916	IS C	MKP R46 103M	1	3500202S	!
C917	UTSP C	CE04W50V-22M(UTSP)	1	397582207T	
C919	TF C	ECQ-V50V-104J	1	374721044T	
C921	PLA C	MKP R46 104M	1	3800041S	
C955	TF C	ECQ-V50V-223J	1	374722234T	
<b>[RESISTOR]</b>					
R301	CARBON R	R16J-1K	1	417341024T	
R302	VARI R	N17RGL20KB15M	1	5151508	
R303	CARBON R	R16J-47K	1	417344734T	
R304	CARBON R	R16J-2.2K	1	417342224T	
R305	CARBON R	R16J-8.2K	1	417348224T	
R307	CARBON R	R16J-270	1	417342714T	
R501	CARBON R	R16J-1K	1	417341024T	
R502	CARBON R	R16J-33K	1	417343334T	
R503	CARBON R	R16J-5.6K	1	417345624T	
R504	CARBON R	R16J-2.2K	1	417342224T	
R505	NF CARBON R	R25J-1.0K	1	415471024T	
R506	NF CARBON R	R25J-1.0K	1	415471024T	
R507	CARBON R	R16J-33K	1	417343334T	
R508	NF CARBON R	R25J-47	1	415474704T	
R509	CARBON R	R16J-1K	1	417341024T	
R510	CARBON R	R16J-100K	1	417341044T	

R511	NF CARBON R	R25J-82	1	415478204T
R512	NF CARBON R	R25J-68	1	415476804T
R513	NF CARBON R	R25J-82	1	415478204T
R514	NF CARBON R	R25J-82	1	415478204T
R515	CARBON R	R16J-12K	1	417341234T
R516	CARBON R	R16J-12K	1	417341234T
R517	CARBON R	R16J-3.3K	1	417343324T
R521	CARBON R	R16J-220	1	417342214T
R522	CARBON R	R16J-220	1	417342214T
R526	METAL O R	RS1/2WBJ-82	1	443528204T
R527	CARBON R	R16J-270	1	417342714T
R528	METAL O R	RS1/2WBJ-390	1	443523914T
R531	METAL PR	RF-5EGKR22	1	4000201
R531 or	METAL PR	RGC55 0.22	(1)	4000132
R531 or	METAL P R	RGC55C 0.22 K	(1)	4000157
R531 or	METAL PR	MPR5W+5W 0R22	(1)	4000233
R533	METAL R	RNU1WCJ-3.3	1	453630334T
R541	NF CARBON R	R25J-820	1	415478214T
R542	CARBON R	R16J-150	1	417341514T
R543	CARBON R	R16J-180	1	417341814T
R544	TRIM R	N06HR100BC	1	5210399T
R601	CARBON R	R16J-5.6K	1	417345624T
R602	CARBON R	R16J-100K	1	417341044T
R603	CARBON R	R16J-150K	1	417341544T
R604	CARBON R	R16J-180	1	417341814T
R605	CARBON R	R16J-22	1	417342204T
R609	CARBON R	R16J-39K	1	417343934T
R610	CARBON R	R16J-560K	1	417345644T
R611	CARBON R	R16J-820K	1	417348244T
R612	CARBON R	R16J-39K	1	417343934T
R613	CARBON R	R16J-470K	1	417344744T
R614	CARBON R	R16J-120K	1	417341244T
R615	CARBON R	R16J-22K	1	417342234T



R616	CARBON R	R16J-100K	1	417341044T
R617	CARBON R	R16J-1K	1	417341024T
R619	CARBON R	R16J-22K	1	417342234T
R620	CARBON R	R16J-100K	1	417341044T
R621	CARBON R	R16J-1K	1	417341024T
R622	CARBON R	R16J-10K	1	417341034T
R623	CARBON R	R16J-22K	1	417342234T
R624	CARBON R	R16J-100K	1	417341044T
R625	CARBON R	R16J-180K	1	417341844T
R626	CARBON R	R16J-2.2M	1	417342254T
R627	CARBON R	R16J-680K	1	417346844T
R628	CARBON R	R16J-330K	1	417343344T
R630	CARBON R	R16J-10K	1	417341034T
R631	CARBON R	R16J-10K	1	417341034T
R651	METAL O R	RS1WBJ-10K	1	443621034T
R652	CARBON R	R16J-470K	1	417344744T
R653	CARBON R	R16J-680K	1	417346844T
R654	CARBON R	R16J-330K	1	417343344T
R704	CARBON R	R16J-100K	1	417341044T
R714	CARBON R	R16J-68K	1	417346834T
R715	CARBON R	R16J-10K	1	417341034T
R716	CARBON R	R16J-1K	1	417341024T
R717	CARBON R	R16J-10K	1	417341034T
R904	METAL R	RNU1/2WCJ-0.22	1	453532294T
R905	METAL R	RNU1/2WCJ-0.47	1	453534794T
R906	METAL O R	RS1/2WBJ-22	1	443522204T
R907	METAL O R	RS1/2WBJ-22	1	443522204T
R954	METAL O R	RS1/2WBJ-33	1	443523304T
R981	METAL O R	RS1WBJ-470	1	443624714T
R982	METAL O R	RS1WBJ-470	1	443624714T
R983	METAL O R	RS1WBJ-470	1	443624714T
R984	METAL O R	RS1WBJ-470	1	443624714T
[SW TRM]				

E801	RETAINER	KANAGU(EARTH)	1	27141059	
F901A	FUSE HOL	NSCT-1P2506	1	25052609T	
F901Aor	FUSE HOL	NSCT-1P2031	(1)	25052133T	
F901B	FUSE HOL	NSCT-1P2506	1	25052609T	
F901Bor	FUSE HOL	NSCT-1P2031	(1)	25052133T	
P301	PIN JACK	NPJ-1PDB581	1	25045801	
P301 or	PIN JACK	NPJ-1PDBL382	(1)	25045567	
P301 or	PIN JACK	NPJ-1PDB556	(1)	25045774	
P531	PLUG	NPLG-2P29	1	25055038	
P535A	SOCKET AS	NSAS-2P1865	1	2009991199UL	
P631	PLUG	NPLG-2P29	1	25055038	
P632A	PLUG	NPLG-3P131	1	25055147	
P902A	PLUG	NPLG-2P632	1	25055676	
P903A	PLUG	NPLG-4P151	1	25055167	
P903B	SOCKET AS	NSAS-7P1834	1	20099900740UL	
P908A	SOCKET AS	NSAS-10P1152	1	2002A391040UL	
P908B	PLUG	NPLG-5P133	1	25055149	
RL901	RELAY	NRL-1P5A-DC9-179	1	25065669	!

# **ONKYO®**

## **ONKYO SOUND & VISION CORPORATION**

Technical Support, Service Dept.: 2-1, Nisshin-cho, Neyagawa-shi, OSAKA 572-8540, JAPAN  
Tel: 072-831-8023 Fax: 072-831-8163

## **ONKYO U.S.A. CORPORATION**

18 Park Way, Upper Saddle River, N.J. 07458, U.S.A.  
Tel: 800-229-1687, 201-785-2600 Fax: 201-785-2650  
<http://www.us.onkyo.com/>

## **ONKYO EUROPE ELECTRONICS GmbH**

Liegnitzerstrasse 6, 82194 Groebenzell, GERMANY  
Tel: +49-8142-4401-0 Fax: +49-8142-4401-555  
<http://www.eu.onkyo.com/>

## **ONKYO EUROPE ELECTRONICS GmbH (UK BRANCH)**

The Coach House 81A High Street, Marlow, Buckinghamshire, SL7 1AB, UK  
Tel: +44-(0)1628-473-350 Fax: +44-(0)1628-401-700

## **ONKYO CHINA LIMITED**

Unit 1033, 10/F, Star House, No 3, Salisbury Road, Tsim Sha Tsui Kowloon, Hong Kong.  
Tel: 852-2429-3118 Fax: 852-2428-9039  
<http://www.ch.onkyo.com/>